

TEXMO[®]



**SINGLE PHASE CENTRIFUGAL MONOBLOCK
HCS 3, 4, 6 & 7 SERIES**



INSTALLATION & SPARE PARTS MANUAL

Manufactured by:

AQUASUB ENGINEERING UNIT II

VETHALAIKALIPALAYAM
N.S.N. PALAYAM POST
COIMBATORE - 641 031. INDIA

TEXMO SINGLE PHASE

CENTRIFUGAL MONOBLOCK

INSTALLATION :

The TEXMO Single Phase Centrifugal Monoblock Pumpsets are extremely easy to install, ruggedly built and designed for many years of trouble free operation. It should be installed in a place relatively free from dust, fumes and moisture. The vertical distance between the water level at the suction side and the pump should not exceed 26 feet (8 meters). The Monoblock should be connected to a single phase 50 cycles A.C. supply with voltage ranging from 200-240 Volts. The supply leads are to be connected to the Monoblock terminals marked A1 & A2. The Monoblock should be properly **Earthed**.

PRECAUTIONS

- 1) A good quality foot valve should be used to avoid priming problems, since the pump is not self - priming.
- 2) Wire size should be sufficient. Use 3/20 wire for short length and 7/20 wire for long lengths.
- 3) Only recommended pipe size should be used. Small pipe sizes, nipples, elbows, bends all give rise to pressure losses and should either be eliminated or used sparingly.

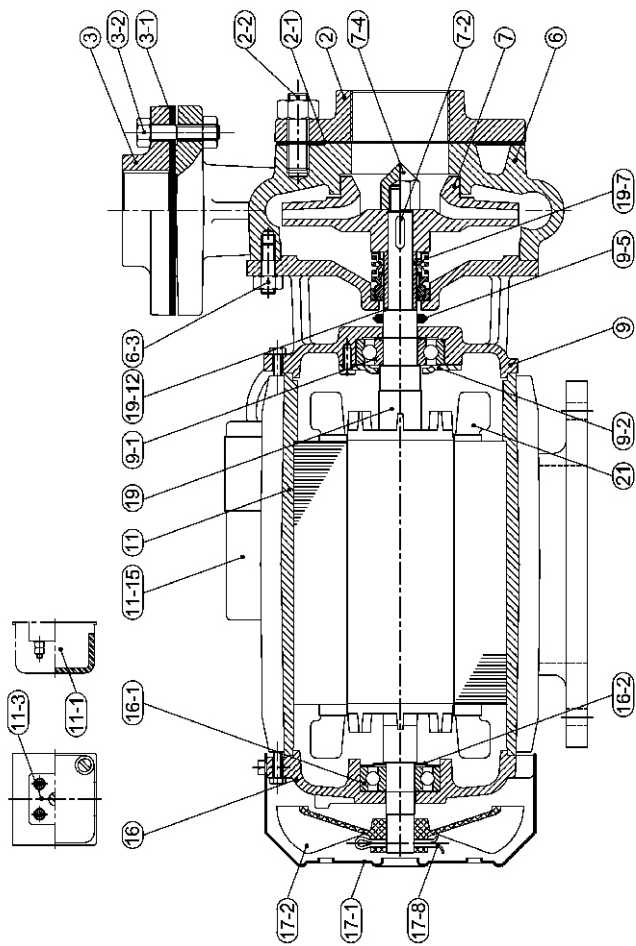
- 4) Do not wrap the motor with airtight materials such as polythene sheet. Condensation will form in tightly wrapped motor and damage the monoblock.
- 5) Bearings require no lubrication for 3 years under normal conditions. When regreasing only half the space between bearing and cap should be filled with grease.

SPARES

While ordering for spares, the complete name plate details of the monoblock with the required Part No. (as per the part list) are to be specified clearly.

BEARING AND CAPACITOR CHART

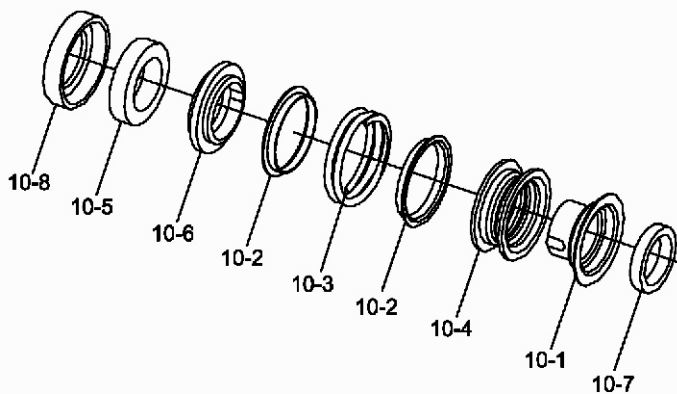
MODEL	H.P .	BEARINGS		MOTOR RUN CAPACITOR 440 VOLTS
		FRONT	REAR	
HCS 3 Series	0.5	6204 ZZ	6203 ZZ	15 MFD
HCS 4 Series	0.5	6204 ZZ	6203 ZZ	15 MFD
HCS 6 Series	1.0	6304 ZZ	6203 ZZ	25 MFD
HCS 7 Series	1.0	6304	6203 ZZ	25 MFD



CROSS SECTIONAL VIEW OF MONOBLOCK

HCS 3, 4, 6 & 7 SERIES SPARE PARTS LIST

Part Number	Part Name	Quantity	Material
2	Suction Flange	1	Cast Iron
2-1	Suction Flange Washer	1	Rubber
2-2	Stud with Nut(Suction Flange)	4 Set	Mild Steel
3	Delivery Flange	1	Cast Iron
3-1	Delivery Flange Washer	1	Rubber
3-2	Hex. Bolt with Nut (Delivery Flange)	2/4 Set	Mild Steel
6	Casing	1	Cast Iron
6-3	Stud (Casing)	6	Mild Steel
7	Impeller	1	Gun Metal / SS / CI
7-2	Key (Impeller)	1	Alloy Steel
7-4	Impeller Lock Nut	1	Brass
9	Cover Dome	1	Cast Iron
9-1	Front Bearing	1	-
9-2	Front Inner Cap	1	Mild Steel
9-5	Water Cutting Ring	1	Rubber
10	Mechanical Seal Assembly	1 Set	-
11	Frame	1	Cast Iron
11-1	Terminal Box Cover	1	Plastic
11-3	Terminal Board	1	Bakelite
11-15	Capacitor	1	-
16	Rear Cover	1	Cast Iron
16-1	Rear Bearing	1	-
16-2	Rear Inner Cap	1	Mild Steel
17-1	Cooling Cover	1	Mild Steel
17-2	Cooling Fan	1	Plastic
17-8	Cotter Pin (Cooling Fan)	1	Mild Steel
19	Shaft with Rotor Assembly	1	Alloy Steel
19-7	Shaft Sleeve	1	Gun Metal
19-12	O - Ring (Shaft)	1	Rubber
21	Winding Set	1	-



EXPLODED VIEW OF MECHANICAL SEAL ASSEMBLY

Part Number	Part Name	Quantity	Material
10-1	Mech. Seal Drive Sleeve	1	Stainless steel
10-2	Mech. Seal Spring Guide	2	Stainless steel
10-3	Mech. Seal Spring	1	Stainless steel
10-4	Mech. Seal Rubber Bellow	1	Rubber
10-5	Mech. Seal Ceramic Seal Ring	1	Ceramic
10-6	Mech. Seal Carbon Sealing Ring	1	Carbon
10-7	Mech. Seal Drive Ring	1	Rubber
10-8	Mech. Seal L Ring	1	Rubber

WARRANTY FOR MONOBLOCK:

Aquasub Engineering Unit-II warrants to the purchaser of this TEXMO product, that for a period of 12 months commencing from the date of purchase of the product, Aquasub Engineering Unit-II will repair or replace free of charge any part or parts of the product, should Aquasub Engineering Unit-II be fully satisfied in its sole discretion, that the defect/s is / are due to faulty material or workmanship only. The warranty will be governed by the following clauses:

1. Aquasub Engineering Unit-II or their Authorised Service Agent / Dealer will repair / replace all parts that are failing due to faulty material or defective workmanship pertaining to the above product.
2. Only Aquasub Engineering Unit-II or its Authorised Service Agent / Dealer can service / repair or attend to install / reinstall the above product.
3. All expenses incurred in collecting the units or parts thereof from the Authorised Service Centre or the Dealer of Aquasub Engineering Unit-II as well as expenses incurred in connection with deputing of service personnel / technicians towards to and fro travel conveyance and other incidentals etc., will be borne by the customer.
4. The warranty extended therein is in lieu of all implied conditions and warranties under the law and is confined to the repair or replacement of defective parts and does not cover any consequential or resulting liability, damage or loss arising from such defects. Further more, the warranty in no case, shall extend to the payment or any monetary consideration whatsoever, of the replacement or return of the product as a whole.
5. The warranty is issued subject to jurisdiction of Coimbatore Court of Law.
6. The warranty is covered by Force Majeure clause. In the event if the above product is struck by any natural calamity, this warranty stands null and void.

This Warranty is not valid in case of any of the following events.

- a. This Pumpset is not used according to the instructions given in this Installation and Operation manual.
- b. If the electrical power supply voltage is not within the stipulated norms.
- c. Any repair work / installation carried out by a person other than Aquasub Engineering Unit-II Service Centre / Service Agent.
- d. The serial Number is deleted, defaced or altered.

WARRANTY CARD

(Please retain this for your personal record)

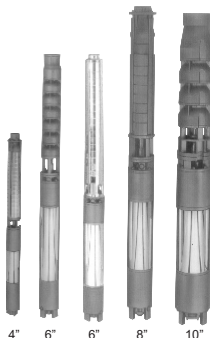
Product Name & Model No. Serial No.

Name and Address of Dealer

Bill No. Date of Purchase

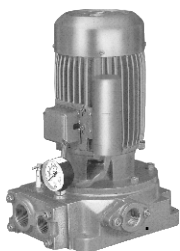


TEXMO



4" 6" 6" 8" 10"

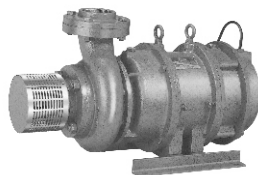
TEXMO
SUBMERSIBLE PUMP SETS



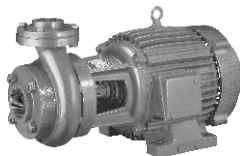
TEXMO
VERTICAL JET



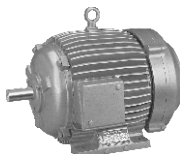
TEXMO
SINGLE PHASE DOMESTIC PUMPS



AQUATEX
OPEN-WELL MONOBLOCKS-ASM SERIES



AQUATEX
AGRICULTURAL MONOBLOCKS



AQUATEX
ELECTRIC MOTORS

PUMPS
YOU CAN
RELY ON

® Registered Trademark of Aquasub Engineering & Aquapump Industries for Texmo brand products listed.

w.e.f. Mar'2016 R.N.00