

TEXMO[®]



**SINGLE PHASE SELF PRIMING CENTRIFUGAL MONOBLOCK
HCS 425 SP, HCS 730 SP & SCM 1150**



INSTALLATION & SPARE PARTS MANUAL

MANUFACTURED BY:

AQUAPUMP INDUSTRIES

TUDIYALUR POST
COIMBATORE - 641 034. INDIA

TEXMO SINGLE PHASE SELF PRIMING

CENTRIFUGAL MONOBLOCK

INSTALLATION :

The TEXMO Single Phase Self Priming Centrifugal Monoblock are extremely easy to install, ruggedly built and designed for many years of trouble free operation. It should be installed in a place relatively free from dust, fumes and moisture. The suction and delivery pipes can be flexible hoses connected with hose collars. The vertical distance between the water level at the suction side and the pump should not exceed 26 feet (8 meters). The Monoblock should be connected to a single phase 50 cycles A.C. supply with voltage ranging from 200-240 Volts. The supply leads are to be connected to the Monoblock terminals marked A1 & A2. The Monoblock should be properly Earthed.

Foot valve is not required in the suction pipe end. But suitable strainer with maximum 3 mm openings must be provided in the suction pipe to prevent the clogging of pump with large objects.

PRECAUTIONS :

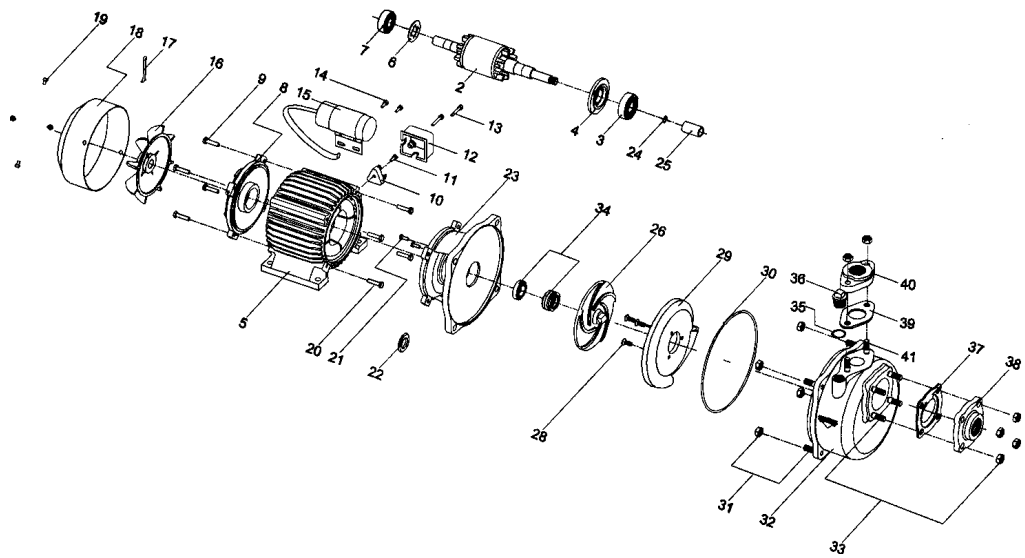
- 1) Wire size should be sufficient equivalent to 3/20 wire.
- 2) Only recommended pipe size should be used. Small pipe sizes, nipples, elbows, bends all give rise to pressure losses and should either be eliminated or used sparingly.
- 3) Do not wrap the motor with air tight materials such as polythene sheet. Condensation will form in tightly wrapped motor and damage the monoblock.
- 4) Bearing require no lubrication for 3 years under normal conditions. When regreasing, only half the space between bearing and cap should be filled with grease.

SPARES :

While ordering for spares, the complete name plate details of the monoblock with the required Part No. (as per the part list) are to be specified clearly.

SELF PRIMING CENTRIFUGAL MONOBLOCK PART DETAILS

Part Number	Part Name	Quantity	Material
2	Shaft with rotor	1	Alloy Steel
3	Front Bearing	1	
4	Front Inner Cap	1	Cast Iron
5	Motor Frame with Stator	1	Cast Iron
6	Rear Inner Cap	1	Mild Steel
7	Rear Bearing	1	
8	Back Cover	1	Cast Iron
9	Back Cover/Motor Frame Hex.Bolt	4	Mild Steel
10	Terminal Board	1	Bakelite
11	Terminal Board Screw	1	Mild Steel
12	Terminal Box Cover	1	Plastic
13	Terminal Box Cover Screw	2	Mild Steel
14	Capacitor Clamp Screw	2	Mild Steel
15	Capacitor with Clamp	1	
16	Cooling Fan	1	Plastic
17	Split Pin for Cooling Fan	1	Mild Steel
18	Cooling Cover	1	Mild Steel
19	Cooling Cover Screw	4	Mild Steel
20	Cover Dome/Motor Frame Hex.Bolt	4	Mild Steel
21	Cover Dome/Front Bearing Cap Screw	2	Mild Steel
22	Water Cutting Ring	1	Rubber
23	Cover Dome	1	Cast Iron
24	Shaft Sleeve "O" Ring	1	Rubber
25	Shaft Sleeve	1	Gun Metal
26	Impeller	1	Gun Metal



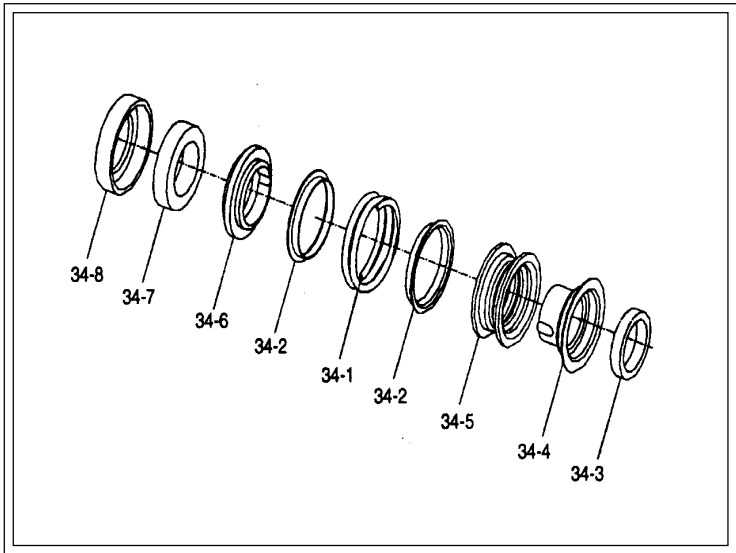
EXPLODED VIEW FOR SELF PRIMING CENTRIFUGAL MONOBLOCK

SELF PRIMING CENTRIFUGAL MONOBLOCK PART DETAILS

Part Number	Part Name	Quantity	Material
28	Diffuser Casing Screw	3	Mild Steel
29	Diffuser Casing	1	Cast Iron
30	"O" Ring	1	Rubber
31	Pump Casing Stud With Nut	4	Mild Steel
32	Pump Casing	1	Cast Iron
33	Suction Flange Stud With Nut	4	Mild Steel
34	Mechanical Seal Assembly	1	
35	Water Filling Plug "O" Ring	1	Rubber
36	Water Filling Plug	1	Plastic
37	Non Return Valve	1	Rubber
38	Suction Flange	1	Cast Iron
39	Delivery Flange Washer	1	Rubber
40	Delivery Flange	1	Cast Iron
41	Delivery Flange Stud with Nut	2	Mild Steel

BEARING AND CAPACITOR CHART

Type	HP	Bearing size		Run Capacitor 440 Volts	QTY
		Front	Rear		
HCS 425SP	0.5	6204	6203	15 MFD	1
HCS 730SP	1.0	6304	6203	25 MFD	1
SCM 1150	1.5	6304	6303	36 MFD	1



MECHANICAL SEAL ASSEMBLY WITH PART NUMBERS

Part Number	Part Name	Quantity	Material
34-1	Seal Spring	1	Stainless Steel
34-2	Seal Spring Guide	2	Brass
34-3	Seal Drive Ring	1	Rubber
34-4	Seal Drive Sleeve	1	Stainless Steel
34-5	Seal Bellow	1	Rubber
34-6	Seal Ring	1	Carbon
34-7	Seal Seat	1	Ceramic
34-8	Seal "L" Ring	1	Rubber

WARRANTY FOR MONOBLOCK:

Aquapump Industries warrants to the purchaser of this TEXMO product, that for a period of 12 months commencing from the date of purchase of the product, Aquapump Industries will repair or replace free of charge any part or parts of the product, should Aquapump Industries be fully satisfied in its sole discretion, that the defect/s is / are due to faulty material or workmanship only. The warranty will be governed by the following clauses:

1. Aquapump Industries or their Authorised Service Agent / Dealer will repair / replace all parts that are failing due to faulty material or defective workmanship pertaining to the above product.
2. Only Aquapump Industries or its Authorised Service Agent / Dealer can service / repair or attend to install / reinstall the above product.
3. All expenses incurred in collecting the units or parts thereof from the Authorised Service Centre or the Dealer of Aquapump Industries as well as expenses incurred in connection with deputing of service personnel / technicians towards to and fro travel conveyance and other incidentals etc., will be borne by the customer.
4. The warranty extended therein is in lieu of all implied conditions and warranties under the law and is confined to the repair or replacement of defective parts and does not cover any consequential or resulting liability, damage or loss arising from such defects. Further more, the warranty in no case, shall extend to the payment or any monetary consideration whatsoever, of the replacement or return of the product as a whole.
5. The warranty is issued subject to jurisdiction of Coimbatore Court of Law.
6. The warranty is covered by Force Majeure clause. In the event if the above product is struck by any natural calamity, this warranty stands null and void.

This Warranty is not valid in case of any of the following events.

- a. This Pumpset is not used according to the instructions given in this Installation and Operation manual.
- b. If the electrical power supply voltage is not within the stipulated norms.
- c. Any repair work / installation carried out by a person other than Aquapump Industries Service Centre / Service Agent.
- d. The serial Number is deleted, defaced or altered.

WARRANTY CARD

(Please retain this for your personal record)

Product Name & Model No. Serial No.

Name and Address of Dealer

Bill No. Date of Purchase



TEXMO



TEXMO
SUBMERSIBLE PUMP SETS



TEXMO
VERTICAL JET



TEXMO
SINGLE PHASE DOMESTIC PUMPS



AQUATEX
OPEN-WELL MONOBLOCKS-ASM SERIES



AQUATEX
AGRICULTURAL MONOBLOCKS



AQUATEX
ELECTRIC MOTORS

**PUMPS
YOU CAN
RELY ON**